

Captured Parts Processing System



Hardwood Line's CaPP (Captured Parts Processing) system has been designed and developed specifically for the electroless, "Barrel" processing of small delicate parts, such as ceramic chips, that until now could only be rack processed.

The CaPP system, which is fully compatible with existing barrel systems, combines the parts protection of racking with the production capabilities of a barrel. It offers increased solution distribution, smaller space requirements, fewer lost parts, easier load and unload operations and an up to 1000% increase in overall production, over rack processing.

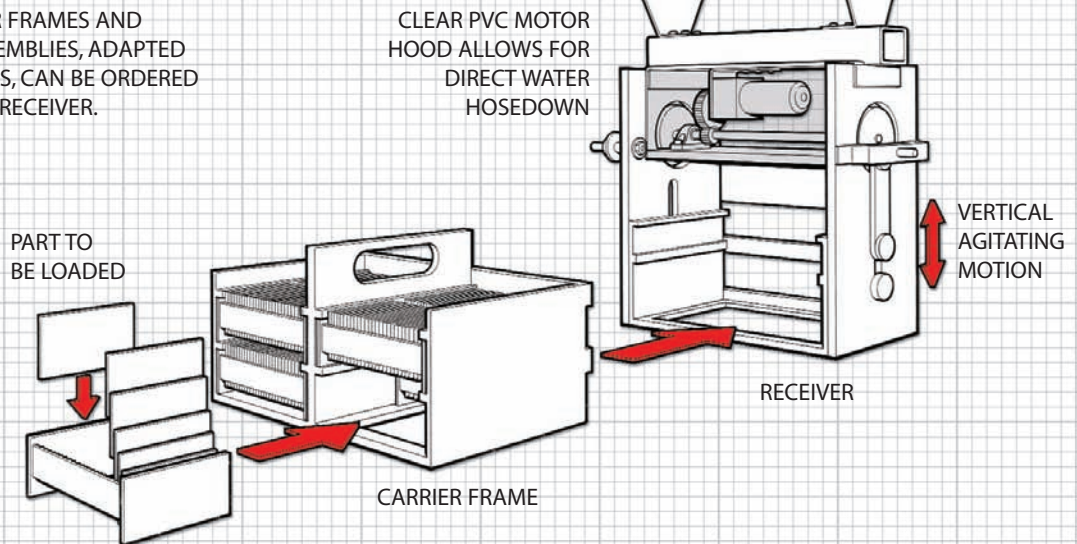
SPECIFICATIONS:

| | | | |
|---------------------------|---|-----------------------|--|
| MOTOR: | 1/8 HP or 1/2 HP 0-24 Volt D.C. Variable Speed Std. OPTIONAL: 1/15 H.P. 110 Volt A.C. Fixed Speed | CARRIER FRAME: | AGITATOR: 15"x10"x8" Std. OPTIONAL: 10"x6"x5" to 24"x12"x12 |
| STROKE: (AGITATOR) | 2" or 3" Vertical Stroke D.C. Motor: 1-45 Strokes/Minute - Variable A.C. Motor: 20 Strokes/Minute - Fixed | MATERIAL: | REVOLVER: Up to 12" Diameter Swing Clearance Polypropylene, Kynar (PVDF) or High Density Polyethylene (HDPE) |
| RPM: (REVOLVER) | D.C. Motor: 1-20 RPM - Variable A.C. Motor: 13 RPM - Fixed (Other speeds available as required) | TANK SEATING: | 2 Electrified Saddles on One End, Single Saddle on Other End to Provide Positive Non-Rocking Set Down. OPTIONAL: Upper Superstructure Cross Bars or Upper Superstructure pickups for use in Automatic Systems |
| RECEIVER UNIT: | Heavy, Heat Fused, PVC Coated, Tubular Steel Upper Frame All Exposed Metal (except for bearing blocks) - 300 Series S.S. Silicon Adhesive Sealed, Clear PVC Motor Hood to allow for Direct Water Hosedown | | |

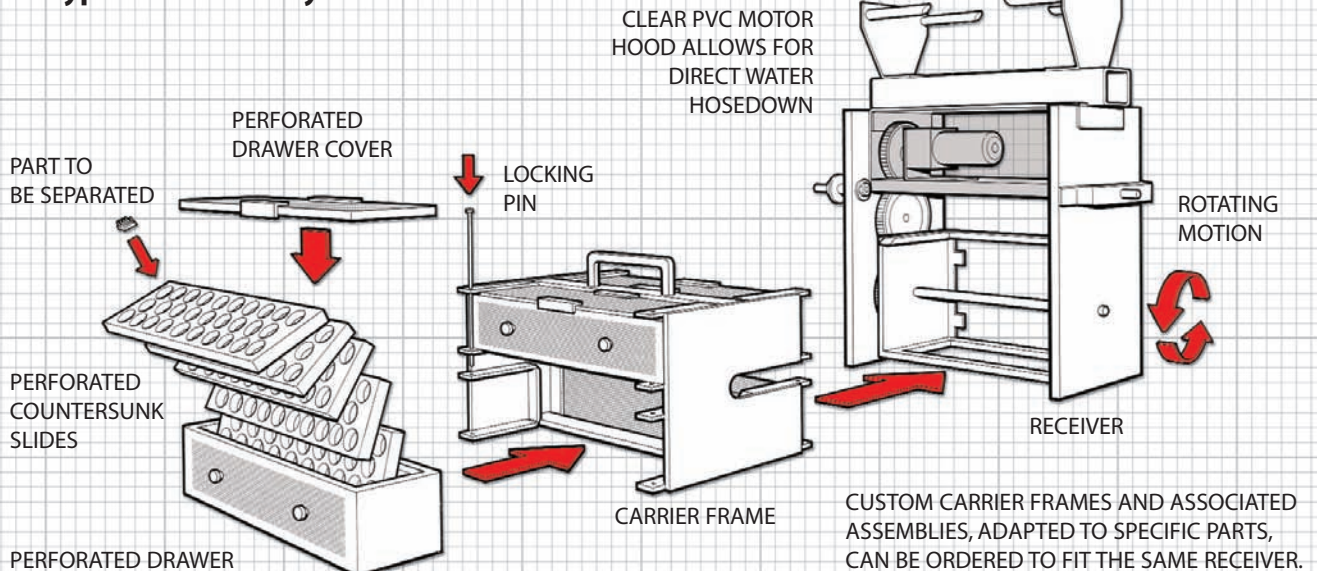
How the CaPP System Works:

Typical Agitator System

CUSTOM CARRIER FRAMES AND ASSOCIATED ASSEMBLIES, ADAPTED TO SPECIFIC PARTS, CAN BE ORDERED TO FIT THE SAME RECEIVER.



Typical Revolver System



Each CaPP system is custom designed to accept specific parts through the use of interchangeable modules. A typical system might consist of perforated, "cellular" Slides which are countersunk to fit a specific part. Once loaded, a number of these Slides are placed into a Drawer module, also perforated to facilitate solution transfer. Loaded Drawer modules are slid into a Carrier Frame. The Carrier Frame is then loaded into the Receiver.

The Receiver is the main component of the system and is available in two models. The "AGITATOR" features a vigorous, self agitating, vertical motion. The "REVOLVER" features a gentler rotating motion.

Multiple Carrier Frames and their associated assemblies (Drawers and Slides) can be used to allow for the loading and unloading of one Carrier while another loaded Carrier is in the Receiver.

Individual custom Carrier Frame assemblies can also be ordered to permit the processing of different parts on the same Receiver. One Receiver can be used as either an AGITATOR or REVOLVER, and can therefore become the "Heart" of a component system.

Please call for more information:

800-443-0093

 **Hardwood Line**
MANUFACTURING COMPANY

4045 N. Elston Ave., Chicago, Illinois 60618
Phone: 773-463-2600 Fax: 773-463-9222
Email: sales@hardwoodline.com
Web Site: www.hardwoodline.com