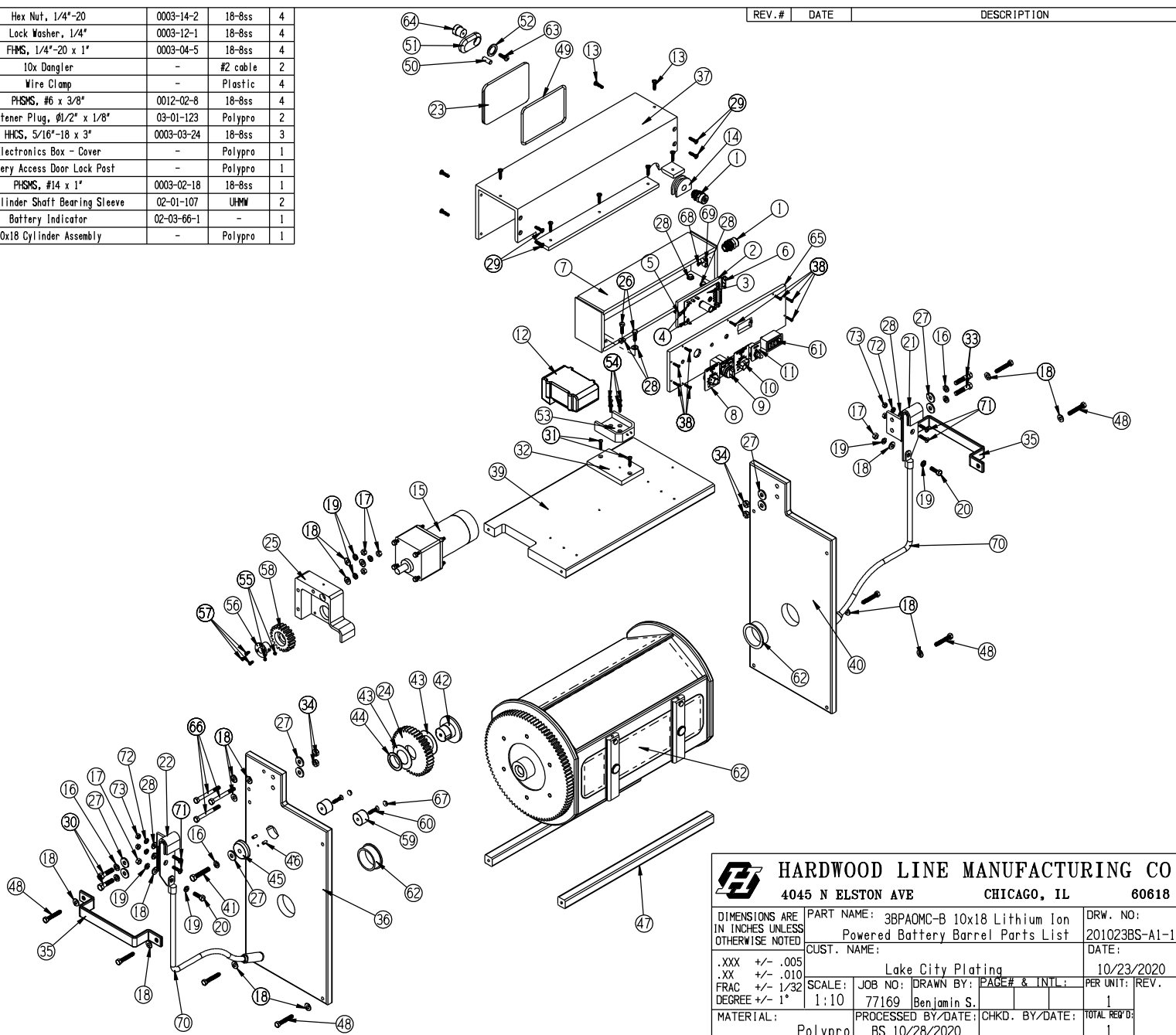


60	FHMS, #14 x 1-1/4"	0003-01-20-1	18-8ss	2	73	Hex Nut, 1/4"-20	0003-14-2	18-8ss	4
59	3BP 10x Gear Guard	02-01-90	Polypro	2	72	Lock Washer, 1/4"	0003-12-1	18-8ss	4
58	20T/8P Drive Gear	02-05-35	Polypro	1	71	FHMS, 1/4"-20 x 1"	0003-04-5	18-8ss	4
57	FHMS, #8 x 1/2"	0003-01-3	18-8ss	3	70	10x Dangler	-	#2 cable	2
56	Drive Gear Bushing	02-01-153	Brass	1	69	Wire Clamp	-	Plastic	4
55	Setscrew, 1/4"-20 x 1/4" (cup point)	0003-10-5	18-8ss	2	68	FHMS, #6 x 3/8"	0012-02-8	18-8ss	4
54	FHMS, #10 x 3/4"	0003-01-28	18-8ss	4	67	Fastener Plug, #1/2" x 1/8"	03-01-123	Polypro	2
53	Battery Mount	10-1835	PLA	1	66	HHCS, 5/16"-18 x 3"	0003-03-24	18-8ss	3
52	Battery Access Door Lock Spacer	-	UHMW	1	65	Electronics Box - Cover	-	Polypro	1
51	Battery Access Door Lock	-	Polypro	1	64	Battery Access Door Lock Post	-	Polypro	1
50	Battery Access Door Lock Pin	-	Polypro	1	63	FHMS, #14 x 1"	0003-02-18	18-8ss	1
49	Gasket Tubing	-	Viton	1	62	3BP Cylinder Shaft Bearing Sleeve	02-01-107	UHMW	2
48	HH-Lag Screw, 5/16" x 2"	0003-09-9	18-8ss	8	61	Battery Indicator	02-03-66-1	-	1
47	10x18 Stabilizer Bar	-	Polypro	2	62	10x18 Cylinder Assembly	-	Polypro	1
46	Idler Shaft Pin	02-05-44	Polypro	2					
45	Idler Shaft Retainer Cap	02-01-48	Polypro	1					
44	Idler Shaft Spacer	0003-11-13	18-8ss	1					
43	Idler Shaft Spacer	02-01-49-1	UHMW	2					
42	Idler Shaft	02-05-34	UHMW	1					
41	HHCS, 3/8"-16 x 2" (Full Thread)	0003-03-39	18-8ss	1					
40	3BP 10x Idleside Hangerarm	-	Polypro	1					
39	Motor Shelf	-	Polypro	1					
38	FHMS, #6 x 3/4"	0003-02-25	18-8ss	10					
37	Motor/Battery Cover	-	Polypro	1					
36	10x18 Battery Barrel Gearside Hangerarm	-	Polypro	1					
35	Handle	-	Mild Steel	2					
34	Hex Jam Nut, 3/8"-16	0003-14-6	18-8ss	4					
33	HHCS, 3/8"-16 x 1-3/4"	0003-03-37	18-8ss	2					
32	Battery Mount Block	-	Polypro	1					
31	FHMS, #10 x 1"	0003-02-8	18-8ss	2					
30	HHCS, 3/8"-16 x 1-1/2"	0003-03-36	18-8ss	2					
29	FHMS, #12 x 1"	0003-01-13	18-8ss	4					
28	Flat Washer, 1/4"	0003-11-3	18-8ss	8					
27	Flat Washer, 3/8"	0003-11-6	18-8ss	9					
26	HH-Lag Screw, 1/4" x 1"	0003-09-1	18-8ss	4					
25	Motor Mounting Block	-	Polypro	1					
24	3BP 10x Idler Gear	-	Polypro	1					
23	Battery Access Door	-	Polypro	1					
22	Gearside Pick-up Assembly	-	304ss	1					
21	Idleside Pick-up Assembly	-	304ss	1					
20	HHCS, 5/16"-18 x 1"	0003-03-18	18-8ss	2					
19	Lock Washer, 5/16"	0003-12-2	18-8ss	7					
18	Flat Washer, 5/16"	0003-11-4	18-8ss	16					
17	Hex Nut, 5/16"-18	0003-14-4	18-8ss	5					
16	Lock Washer, 3/8"	0003-12-3	18-8ss	5					
15	SPG Gearmotor	02-05-239	-	1					
14	Cord Grip Insert	-	Polypro	1					
13	FHMS, #12 x 1"	0003-02-11	18-8ss	12					
12	Kobalt Battery	10-1836	-	2					
11	Power Switch Assembly	-	-	1					
10	Speed Controls Assembly	-	-	1					
9	Rotation Switch Assembly	-	-	1					
8	Cycle Timing Switch Assembly	-	-	1					
7	Electronics Box Assembly	-	Polypro	1					
6	Micro Timer	02-03-74	-	1					
5	FHMS, #10 x 3/4"	0003-02-20	18-8ss	2					
4	FHMS, #6 x 5/8"	0003-02-2	18-8ss	4					
3	Minarik Low Voltage DC Drive	02-03-75	-	1					
2	Minarik Drive Mounting Plate	-	Polypro	1					
1	Cord Grip	-	Plastic	2					
ID#	DESCRIPTION	JB#	MATERIAL	QTY					



HARDWOOD LINE MANUFACTURING CO			
4045 N ELSTON AVE		CHICAGO, IL	
60618			
DIMENSIONS ARE IN INCHES UNLESS OTHERWISE NOTED	PART NAME: 3BPADMC-B 10x18 Lithium Ion Powered Battery Barrel Parts List	DRW. NO: 201023BS-A1-1	
CUST. NAME: Lake City Plating	SCALE: 1:10	DATE: 10/23/2020	
.XXX +/- .005 .XX +/- .010 FRAC +/- 1/32 DEGREE +/- 1°	JOB NO: 77169	DRAWN BY: Benjamin S.	PAGE# & INTL: 1
MATERIAL: Polypro	PROCESSED BY/DATE: BS 10/28/2020	CHKD. BY/DATE:	PER UNIT: REV. 1
		TOTAL REV'S: 1	